

Communications & Power Industries Receivers



CPI BMD has extensive expertise in manufacturing custom receiver assemblies for major radar, EW, and communications system OEMs from around the world.

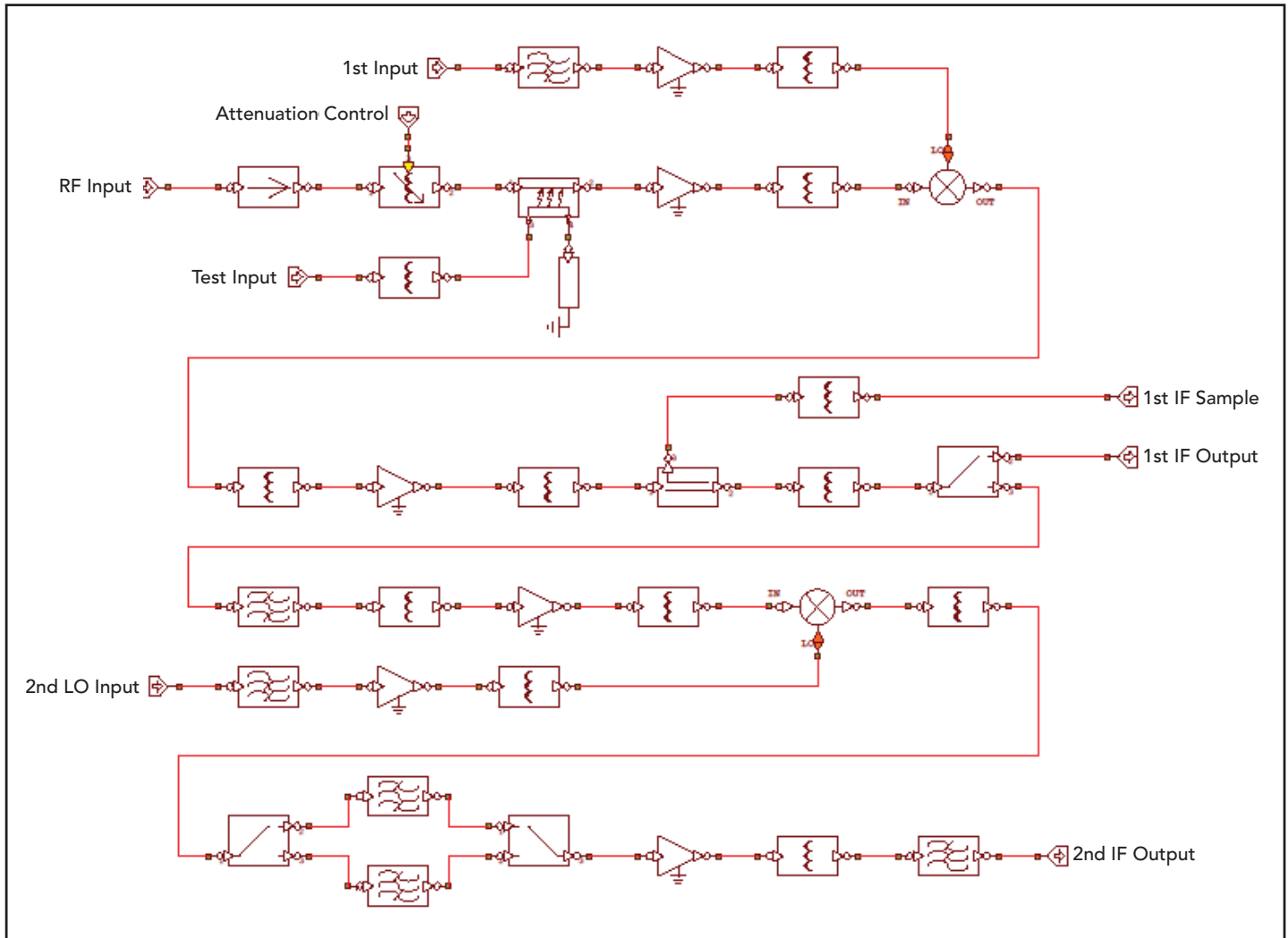
FEATURES/OPTIONS:

- Single or dual-conversion radar receiver
- Couplers for test injection and output samples
- Switched IF filters
- Digital or analog gain control
- Linearized RF attenuation
- I/Q baseband outputs
- Auxiliary outputs for built-in-test

PERFORMANCE CHARACTERISTICS:

- Frequencies up to Ka-band
- Noise figure less than 7 dB
- High dynamic range: -80 to +10 dBm
- Minimum detectable signal less than -90 dBm
- High spurious rejection greater than 70 dBc
- I/Q phase & amplitude balance less than 2 degrees and 0.1 dB
- Recovery time less than 500 nsec

Communications & Power Industries Receivers



We have the ability to integrate your receiver into a larger assembly.
Ask us about designing a complete subsystem for you today.