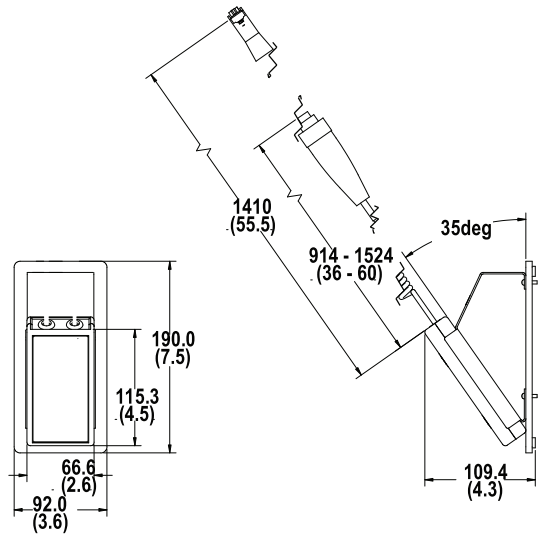
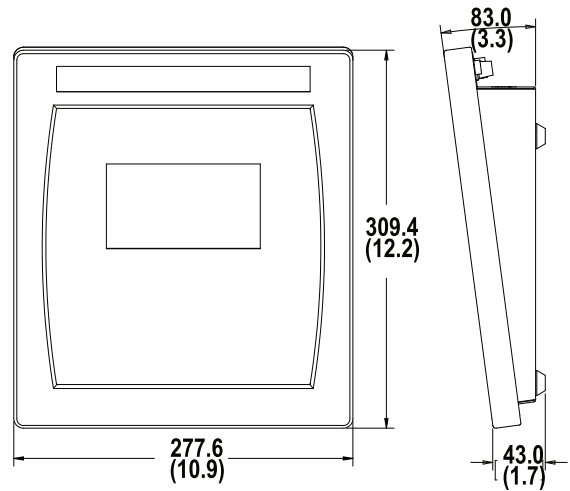


GENERATOR CONSOLES

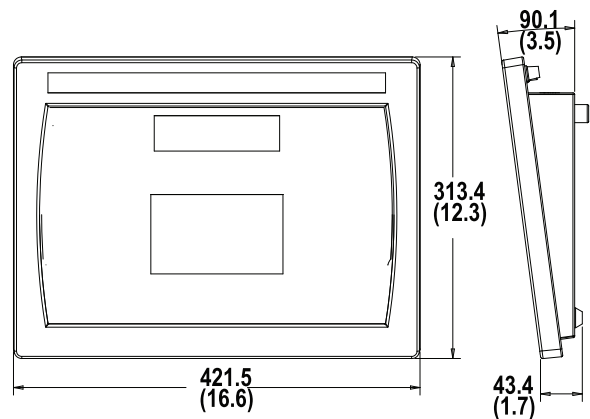
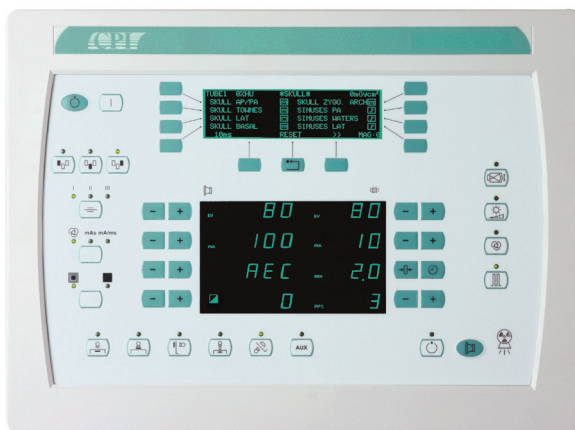
Mini-Console



Membrane Rad Console



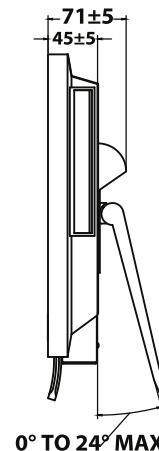
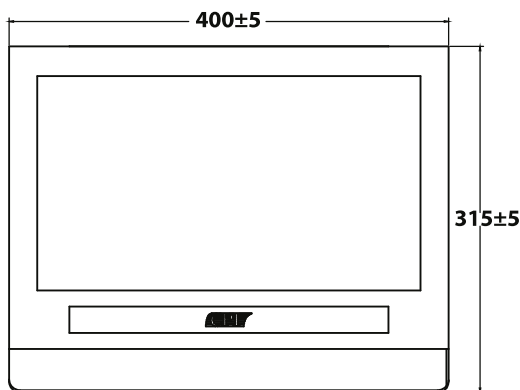
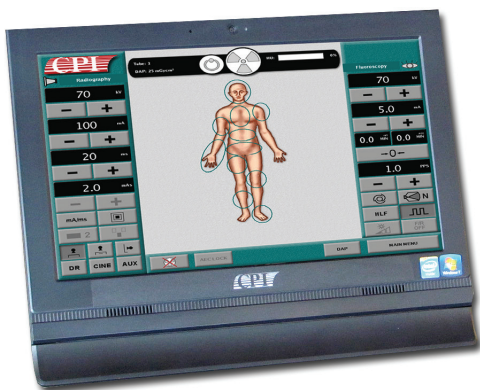
Membrane R&F Console



Dimensions:
mm (inches)

GENERATOR CONSOLES

StarQ Touch Screen Console (15.6"/400 mm)



(Additional specifications available on request)

Dimensions:
mm (inches)

CPI Console/Generator Compatibility

| CONSOLE | Generator | | |
|-----------------------------------|-----------------|-------------------|----------------|
| | CMP 200® SERIES | CMP 200®DR SERIES | INDICO IQ® R&F |
| Mini Controller | Not Available | Available | Available |
| Membrane Rad | Available | Available | Not Available |
| Membrane R&F | Not Available | Not Available | Available |
| StarQ Touch Screen (15.6"/400 mm) | Not Available | Available | Available |

CPI Console Options

| CONSOLE | Options | | | |
|----------------------------------|-------------|---------------|---------------|----------------|
| | HAND SWITCH | WALL MOUNT | DESKTOP BASE | FLOOR PEDESTAL |
| Mini Controller | Included | Not Available | Included | Not Available |
| Membrane Rad | Available | Available | Not Available | Available |
| Membrane RF | Available | Available | Not Available | Available |
| StarQ Touch Screen (15.6"/400mm) | Included** | Available | Included | Not Available |

** Includes mini controller & hand switch



ISO 13485:2016 REGISTERED

ISO 9001:2015 REGISTERED



Communications & Power Industries

Satcom & Medical Products Division

+1 888-CPI-XRAY

+1 905-877-0161

medicalmarketing@cpii.com

www.cpii.com

For more detailed information, please refer to the corresponding CPI technical description if one has been published, or contact CPI. Specifications may change without notice as a result of additional data or product refinement. Please contact CPI before using this information for system design.

©2020 Communications & Power Industries LLC. Company proprietary; use and reproduction is strictly prohibited without written authorization from CPI.

Registered Trademarks, excluding TÜV, are U.S. Registered Trademarks of Communications & Power Industries Canada Inc.